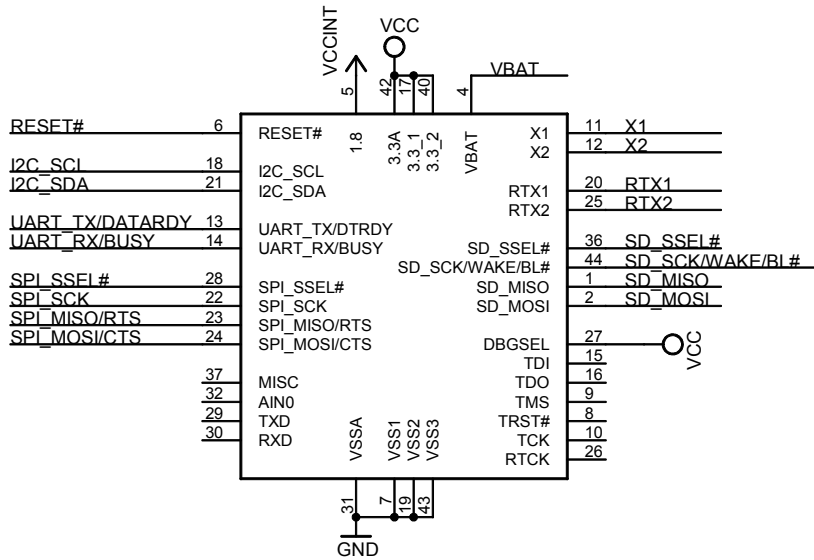
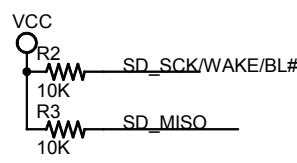
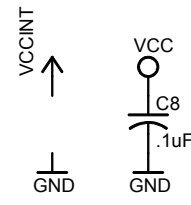
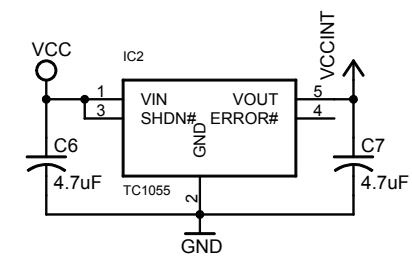
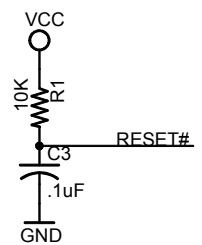
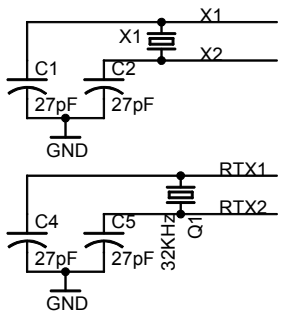
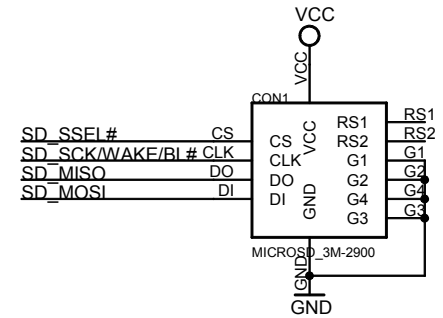


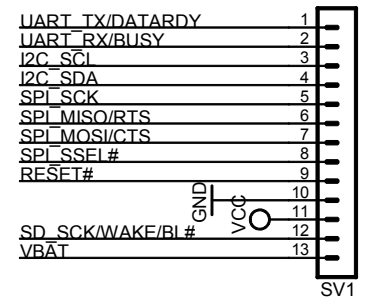
# uALFAT



# uSD (TransFlash) Connector



SUPPORT\_PAD



USE REGULATED 3.3V for power

|                      |                     |
|----------------------|---------------------|
| GHI Electronics, LLC | uALFAT-TF           |
|                      | 5/12/2007 08:41:19a |
|                      | Sheet: 1/1          |