

1 2 3 4 5 6

A

A

B

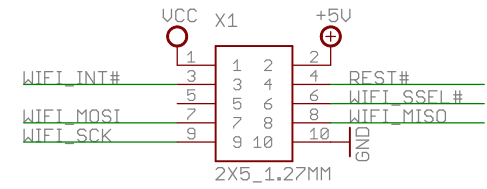
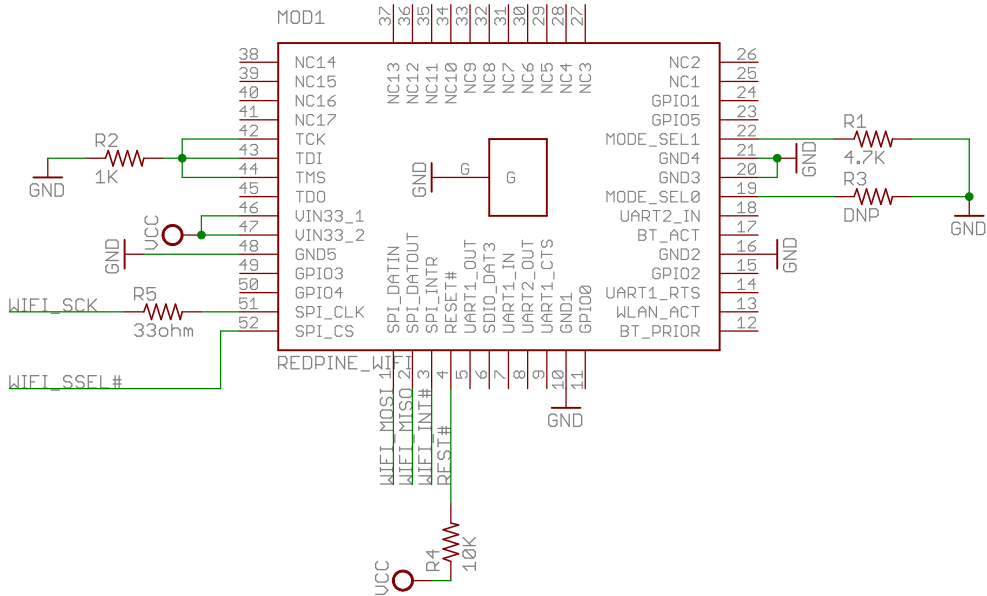
B

C

C

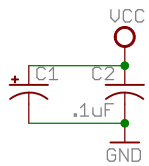
D

D



Connect WiFi_INT# to GPIO with Interrupt capability.

220uF 6.3V B45197A1.227K409



WiFi Rs21 v1.2		WiFi RS21	
		16/12/2011 11:36:30	
GHI Electronics, LLC		Sheet: 1/1	

1 2 3 4 5 6