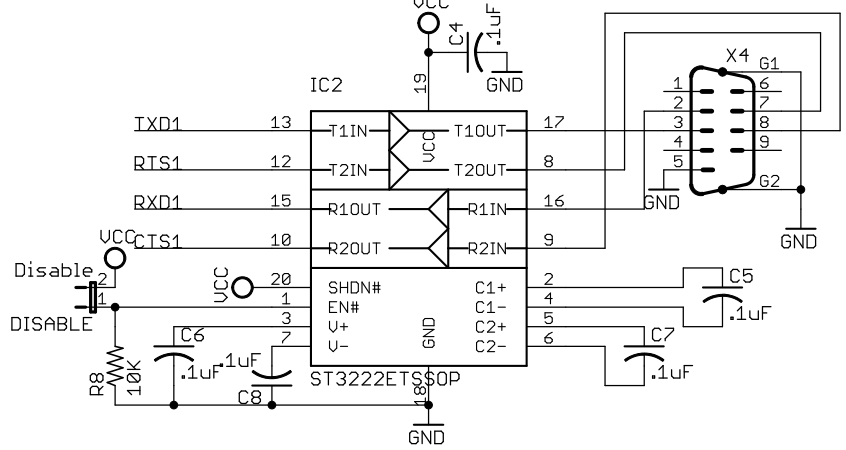
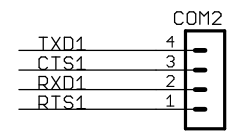


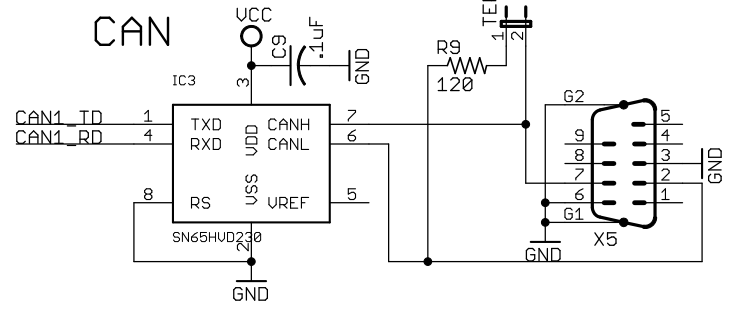
RS232 DTE (PC)



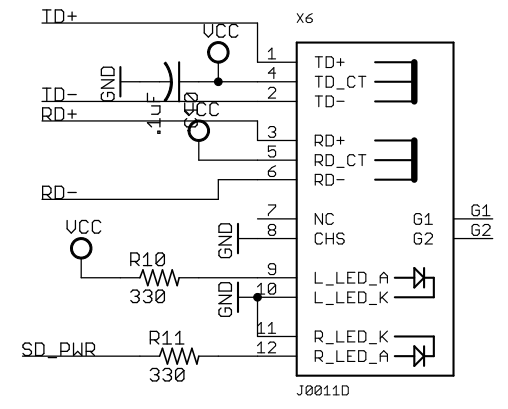
COM2



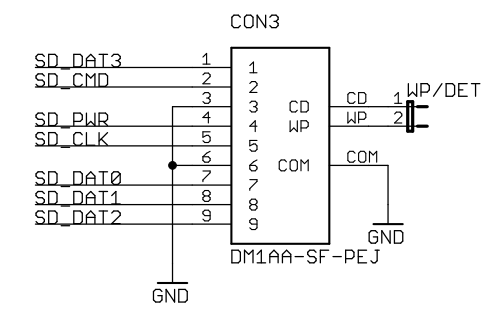
CAN

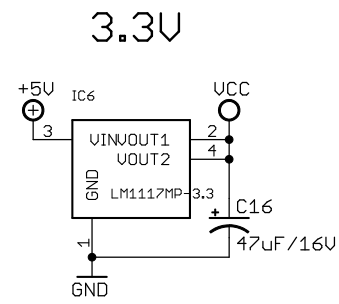
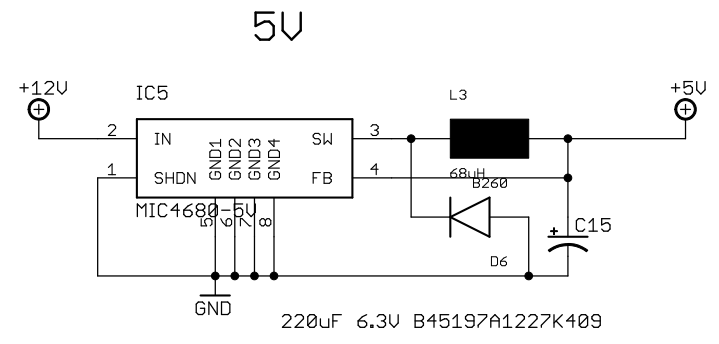
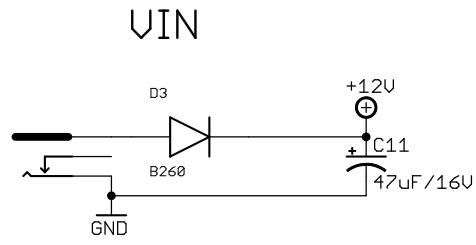


Ethernet

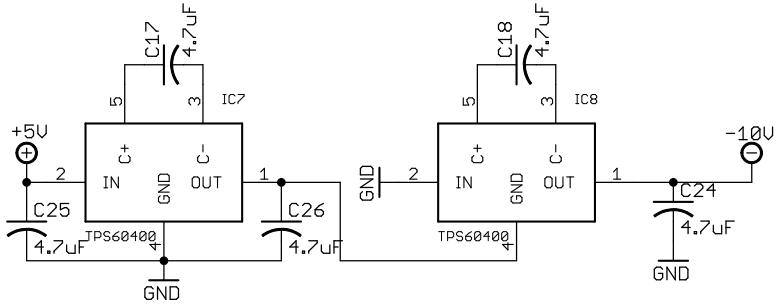


SD/MMC memory card





Optrex LCD



Display Header

For Serial: BS0, BS1, BS2 and BS3 = low

