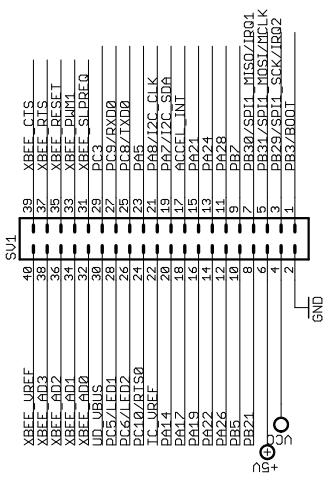
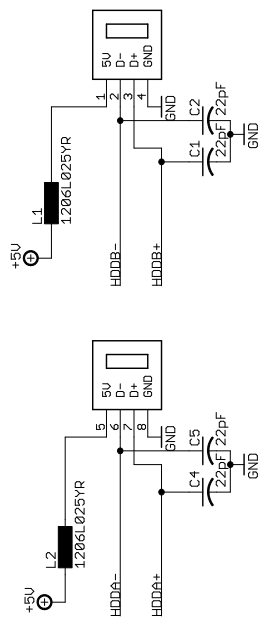


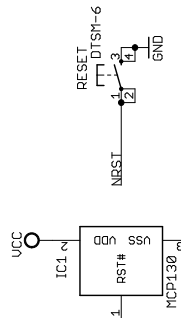
Dev. Headers



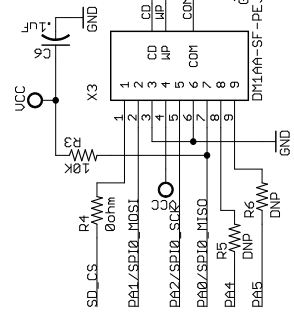
USB Host



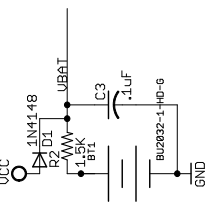
Reset



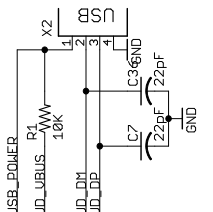
SD/MMC



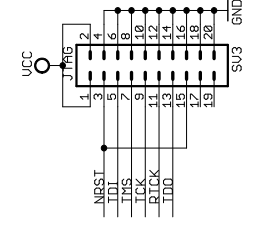
Battery



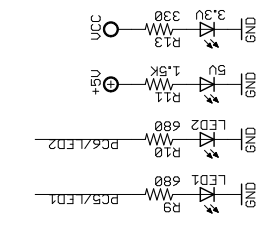
USB Device



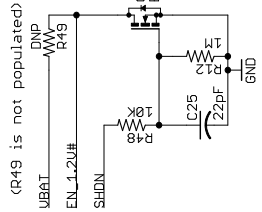
JTAG



LEDs



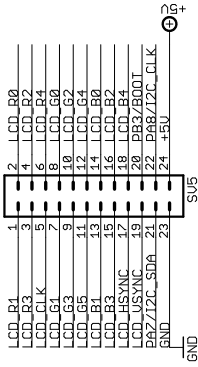
Optional Sleep



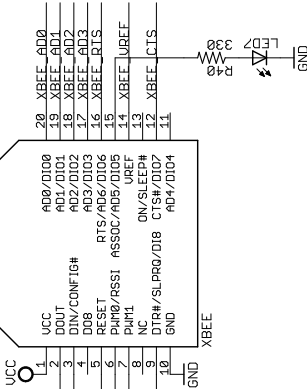
1	GND	ENET_2.5	ENET_TX-	2	ENET_TX+	39	XBEE_UBREF
2	GND	ENET_LED1	ENET_TX+	4	ENET_TX+	38	XBEE_AD3
3	GND	ENET_LED2	ENET_RX-	6	ENET_RX+	37	XBEE_RLSET
4	GND		ENET_RX+	8	ENET_RX+	36	XBEE_AD1
5	GND			10	ENET_LED1	35	XBEE_AD0
6	GND			12	ENET_LED2	34	XBEE_SLPREQ
7	GND			14		33	UD_UBUS
8	GND			16		32	DC5/LED1
9	GND			18		31	DC6/LED2
10	GND			20		30	DC10/RTS0
11	GND			22		29	DC12/TXD1
12	GND			24		28	PA23/BTN_LEFT
13	GND			26		27	PA18/BTN_RIGHT
14	GND			28		26	PA15/MP3_XDCS
15	GND			30		25	PA16/BTN_SELECT
16	GND			32		24	PA25/BTN_LEFT
17	GND			34		23	PA25/BTN_RIGHT
18	GND			36		22	PA10/DI_XD
19	GND			38		21	PA10/DI_XD
20	GND			40		20	PA12/RTS1
21	GND					19	PA12/RTS1
22	GND					18	PA12/RTS1
23	GND					17	PA12/RTS1
24	GND					16	PA12/RTS1
25	GND					15	PA12/RTS1
26	GND					14	PA12/RTS1
27	GND					13	PA12/RTS1
28	GND					12	PA12/RTS1
29	GND					11	PA12/RTS1
30	GND					10	PA12/RTS1
31	GND					9	PA12/RTS1
32	GND					8	PA12/RTS1
33	GND					7	PA12/RTS1
34	GND					6	PA12/RTS1
35	GND					5	PA12/RTS1
36	GND					4	PA12/RTS1
37	GND					3	PA12/RTS1
38	GND					2	PA12/RTS1
39	GND					1	PA12/RTS1
40	GND						

TITLE: ChipworkX-DevSys
Document Number:

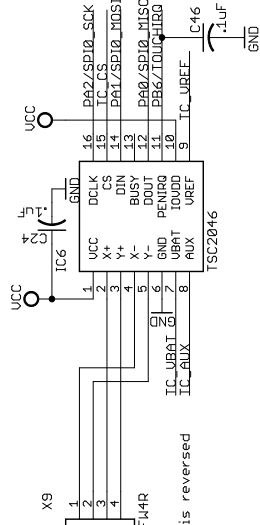
LCD expan.



XBee

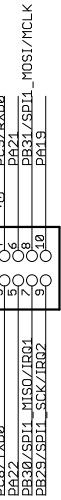


Touch

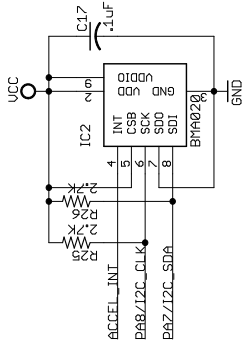


Cable is reversed

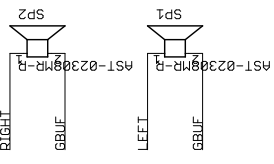
MP3/WMA/MIDI/WAV decoder



Accel

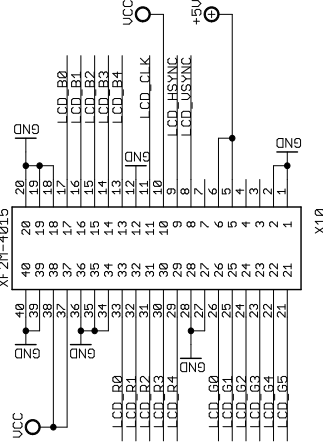


Speakers



LCD

LQ043T1DG01



pin numbers are reversed

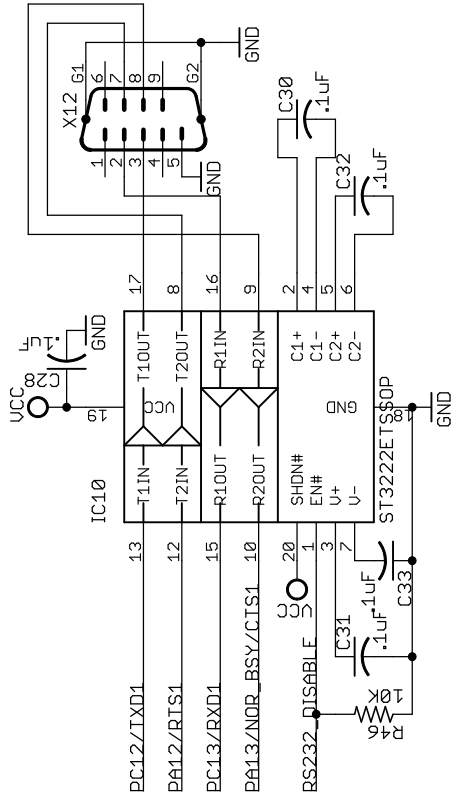
TITLE: ChipuorkX-DevSys

Document Number:

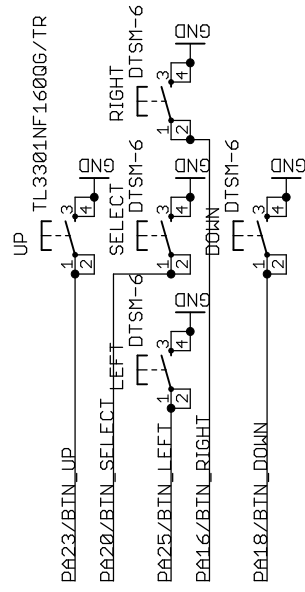
Date: 12/11/2009 11:24:14 AM

Sheet: 2/3

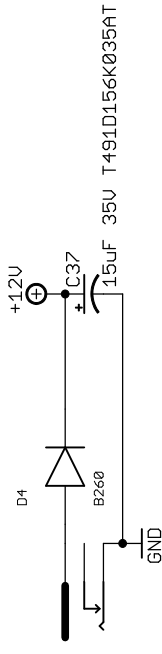
RS232 DTE (PC)



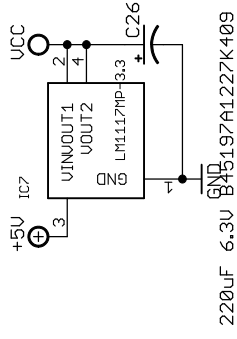
Buttons



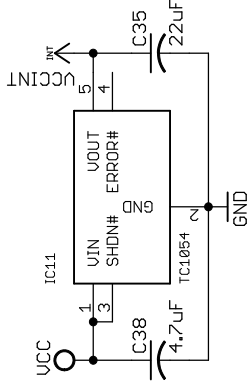
VIN



3.3V



1.8V



5V

