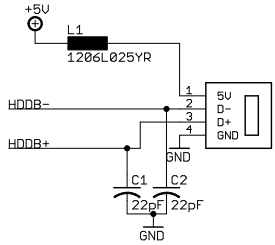
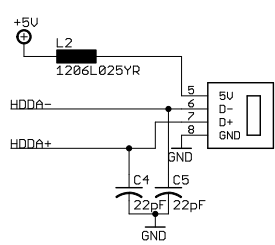
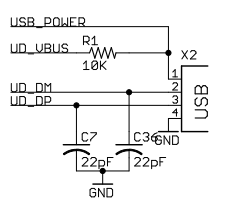


1	GND_BG	ENET_TX-	2	FNET_TX-
2	2.5V	ENET_TX+	3	FNET_TX+
3	GND_S	ENET_RX-	4	FNET_RX-
4	NC1	ENET_RX+	5	FNET_RX+
5	NC2	NC3	6	NC3
6	ENET_LED1	ENET_LED2	7	ENET_LED2
7	GND	GND3	8	D15
8	D7	D14	9	D16
9	D6	D13	10	D18
10	D5	3.3V_0	11	D22
11	D4	D12	12	D24
12	D3	D10	13	D26
13	D2	D18	14	D28
14	GND4	D9	15	D30
15	D1	D8	16	D32
16	D0	3.3V_1	17	D34
17	A22	A21	18	A22
18	A20	A19	19	A36
19	A18	A17	20	A38
20	A16	GND16	21	A40
21	GND5	A15	22	A44
22	A14	A13	23	A46
23	A12	3.3V_2	24	A48
24	A11	A10	25	A50
25	A9	A8	26	A54
26	GND6	A7	27	A56
27	A6	A5	28	A58
28	A4	A3	29	A58
29	A2	A1	30	A58
30	A0	3.3V_3	31	A60
31	D17	D31	32	D62
32	D16	D30	33	D64
33	D15	D29	34	D66
34	D14	D28	35	D68
35	D13	D27	36	D70
36	D12	3.3V_4	37	D72
37	D11	D26	38	D74
38	D10	D25	39	D76
39	D9	D24	40	D78
40	D8	D23	41	D80
41	D7	D22	42	D82
42	D6	D21	43	D84
43	D5	D20	44	D86
44	D4	D19	45	D88
45	D3	D18	46	D90
46	D2	D17	47	PC3
47	D1	D16	48	PC5
48	D0	D15	49	PC6
49	NC9	NC8	50	PC8
50	NC10	NC9	51	PC10
51	NC11	NC10	52	PC12
52	NC12	NC11	53	PC14
53	NC13	NC12	54	PC15
54	NC14	NC13	55	3.3V_6
55	NC15	NC14	56	PA1
56	NC16	NC15	57	PA3
57	NC17	NC16	58	PA5
58	NC18	NC17	59	PA6
59	NC19	NC18	60	PA8
60	NC20	NC19	61	PA10
61	NC21	NC20	62	PA12
62	NC22	NC21	63	PA14
63	NC23	NC22	64	3.3V_7
64	NC24	NC23	65	PA17
65	NC25	NC24	66	PA19
66	NC26	NC25	67	PA21
67	NC27	NC26	68	PA22
68	NC28	NC27	69	PA24
69	NC29	NC28	70	PA26
70	NC30	NC29	71	PA28
71	NC31	NC30	72	PA30
72	NC32	NC31	73	3.3V_8
73	NC33	NC32	74	PA31
74	NC34	NC33	75	PA42
75	NC35	NC34	76	PA44
76	NC36	NC35	77	PA46
77	NC37	NC36	78	PA48
78	NC38	NC37	79	PA50
79	NC39	NC38	80	PA52
80	NC40	NC39	81	PA26
81	NC41	NC40	82	PA28
82	NC42	NC41	83	PA30
83	NC43	NC42	84	PA32
84	NC44	NC43	85	PA34
85	NC45	NC44	86	PA36
86	NC46	NC45	87	PA38
87	NC47	NC46	88	PA40
88	NC48	NC47	89	PA42
89	NC49	NC48	90	PA44
90	NC50	NC49	91	PA46
91	NC51	NC50	92	PA48
92	NC52	NC51	93	PA50
93	NC53	NC52	94	PA52
94	NC54	NC53	95	PA54
95	NC55	NC54	96	PA56
96	NC56	NC55	97	PA58
97	NC57	NC56	98	PA60
98	NC58	NC57	99	PA62
99	NC59	NC58	100	PA64
100	NC60	NC59	101	PA66
101	NC61	NC60	102	PA68
102	NC62	NC61	103	PA70
103	NC63	NC62	104	PA72
104	NC64	NC63	105	PA74
105	NC65	NC64	106	PA76
106	NC66	NC65	107	PA78
107	NC67	NC66	108	PA80
108	NC68	NC67	109	PA82
109	NC69	NC68	110	PA84
110	NC70	NC69	111	PA86
111	NC71	NC70	112	PA88
112	NC72	NC71	113	PA90
113	NC73	NC72	114	PA92
114	NC74	NC73	115	PA94
115	NC75	NC74	116	PA96
116	NC76	NC75	117	PA98
117	NC77	NC76	118	PA100
118	NC78	NC77	119	PA102
119	NC79	NC78	120	PA104
120	NC80	NC79	121	PA106
121	NC81	NC80	122	PA108
122	NC82	NC81	123	PA110
123	NC83	NC82	124	PA112
124	NC84	NC83	125	PA114
125	NC85	NC84	126	PA116
126	NC86	NC85	127	PA118
127	NC87	NC86	128	PA120
128	NC88	NC87	129	PA122
129	NC89	NC88	130	PA124
130	NC90	NC89	131	PA126
131	NC91	NC90	132	PA128
132	NC92	NC91	133	PA130
133	NC93	NC92	134	PA132
134	NC94	NC93	135	PA134
135	NC95	NC94	136	PA136
136	NC96	NC95	137	PA138
137	NC97	NC96	138	PA140
138	NC98	NC97	139	PA142
139	NC99	NC98	140	PA144
140	NC100	NC99	141	PA146
141	NC101	NC100	142	PA148
142	NC102	NC101	143	PA150
143	NC103	NC102	144	PA152
144	NC104	NC103	145	PA154
145	NC105	NC104	146	PA156
146	NC106	NC105	147	PA158
147	NC107	NC106	148	PA160
148	NC108	NC107	149	PA162
149	NC109	NC108	150	PA164
150	NC110	NC109	151	PA166
151	NC111	NC110	152	PA168
152	NC112	NC111	153	PA170
153	NC113	NC112	154	PA172
154	NC114	NC113	155	PA174
155	NC115	NC114	156	PA176
156	NC116	NC115	157	PA178
157	NC117	NC116	158	PA180
158	NC118	NC117	159	PA182
159	NC119	NC118	160	PA184
160	NC120	NC119	161	PA186
161	NC121	NC120	162	PA188
162	NC122	NC121	163	PA190
163	NC123	NC122	164	PA192
164	NC124	NC123	165	PA194
165	NC125	NC124	166	PA196
166	NC126	NC125	167	PA198
167	NC127	NC126	168	PA200
168	NC128	NC127	169	PA202
169	NC129	NC128	170	PA204
170	NC130	NC129	171	PA206
171	NC131	NC130	172	PA208
172	NC132	NC131	173	PA210
173	NC133	NC132	174	PA212
174	NC134	NC133	175	PA214
175	NC135	NC134	176	PA216
176	NC136	NC135	177	PA218
177	NC137	NC136	178	PA220
178	NC138	NC137	179	PA222
179	NC139	NC138	180	PA224
180	NC140	NC139	181	PA226
181	NC141	NC140	182	PA228
182	NC142	NC141	183	PA230
183	NC143	NC142	184	PA232
184	NC144	NC143	185	PA234
185	NC145	NC144	186	PA236
186	NC146	NC145	187	PA238
187	NC147	NC146	188	PA240
188	NC148	NC147	189	PA242
189	NC149	NC148	190	PA244
190	NC150	NC149	191	PA246
191	NC151	NC150	192	PA248
192	NC152	NC151	193	PA250
193	NC153	NC152	194	PA252
194	NC154	NC153	195	PA254
195	NC155	NC154	196	PA256
196	NC156	NC155	197	PA258
197	NC157	NC156	198	PA260
198	NC158	NC157	199	PA262
199	NC159	NC158	200	PA264

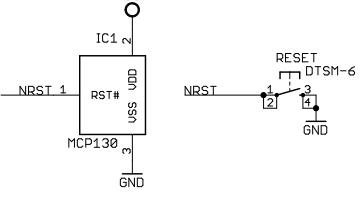
USB Host



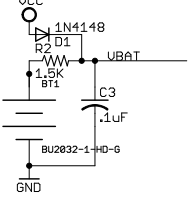
USB Device



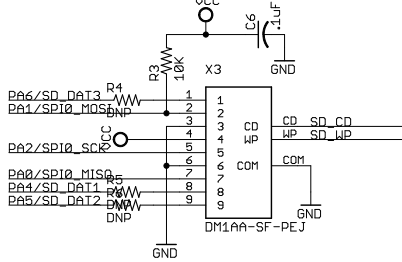
Reset



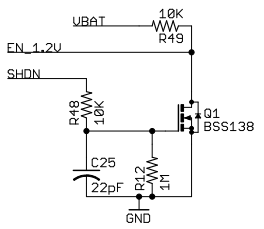
Battery



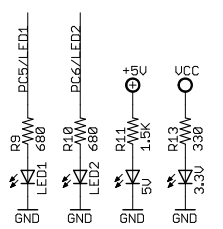
SD/MMC



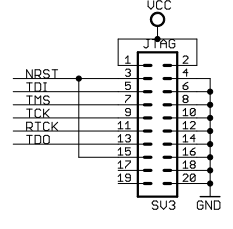
Sleep



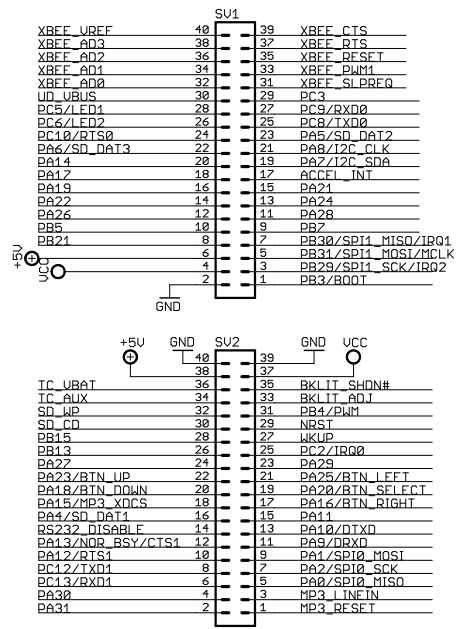
LEDs



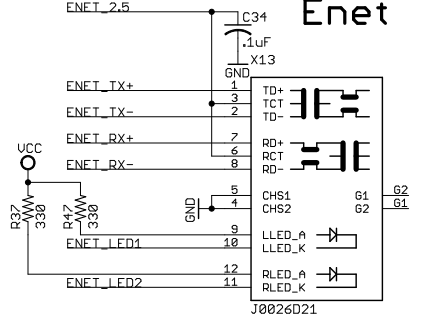
JTAG



Dev. Headers

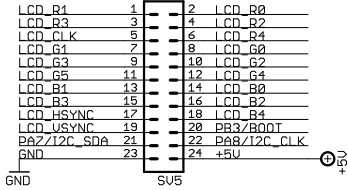


Enet

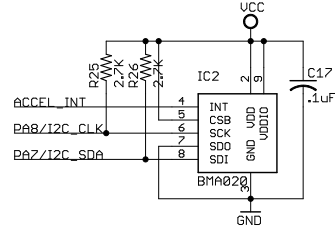


TITLE: ChipworkX-DevSys	
Document Number:	REV:
Date: 7/14/2009 10:18:45 AM	Sheet: 1/3

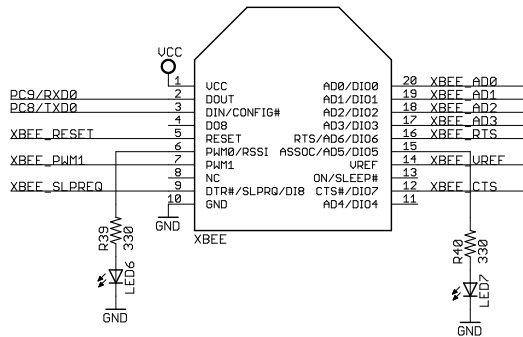
LCD expan.



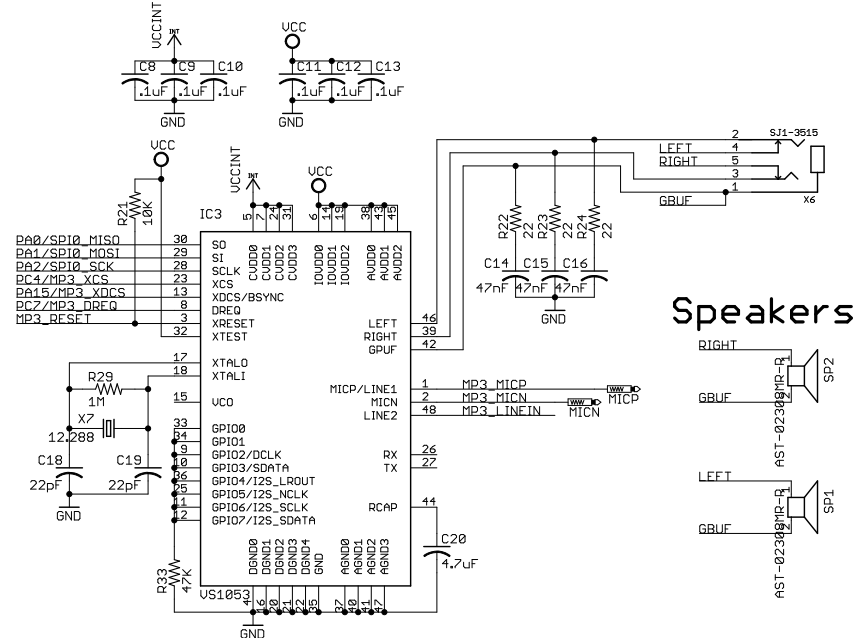
Accel



XBee



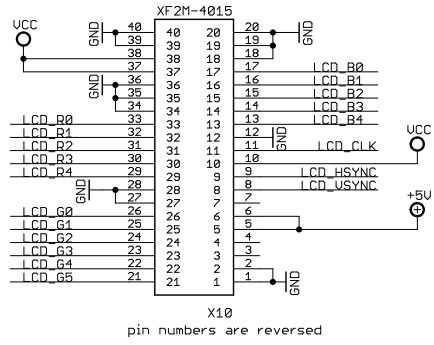
MP3/WMA/MIDI/WAV decoder



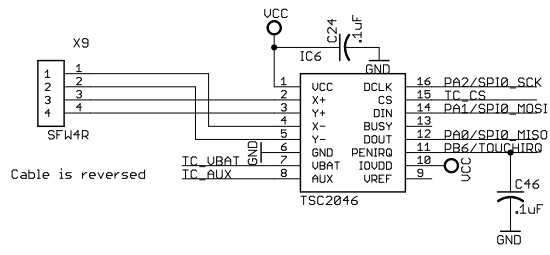
Speakers

LCD

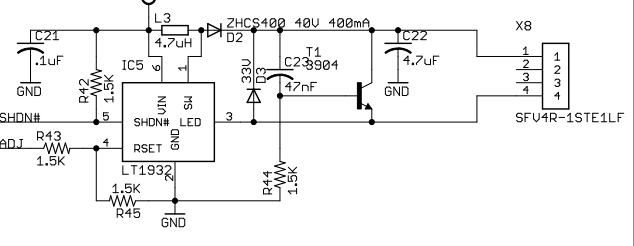
LQ043T1DG01



Touch

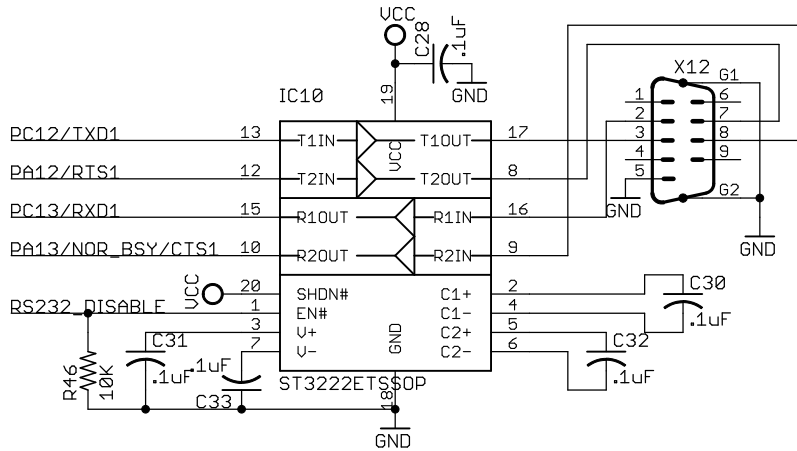


Backlight

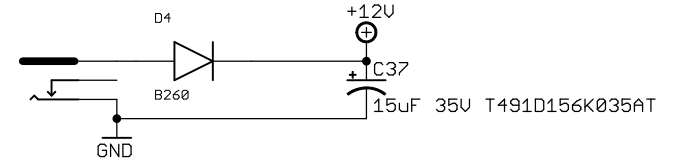


TITLE: ChipworkX-DevSys	
Document Number:	REV:
Date: 7/14/2009 10:18:45 AM	Sheet: 2/3

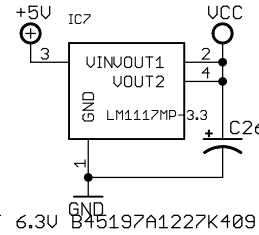
RS232 DTE (PC)



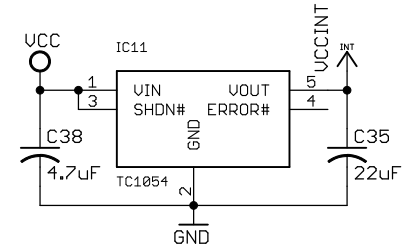
VIN



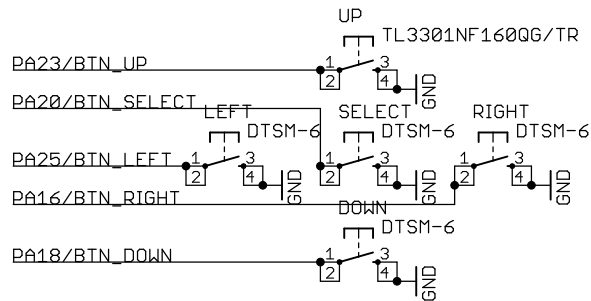
3.3V



1.8V



Buttons



5V

