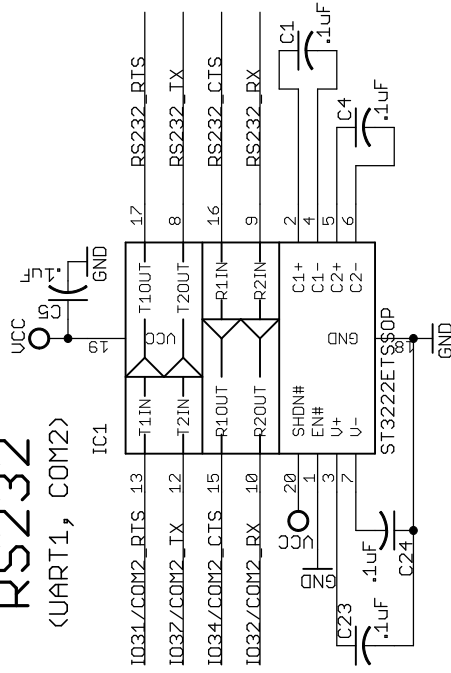
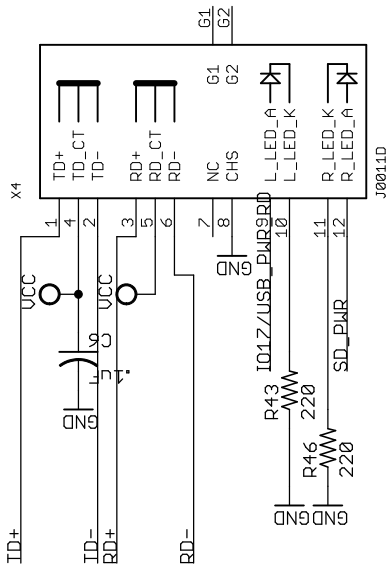


RS232

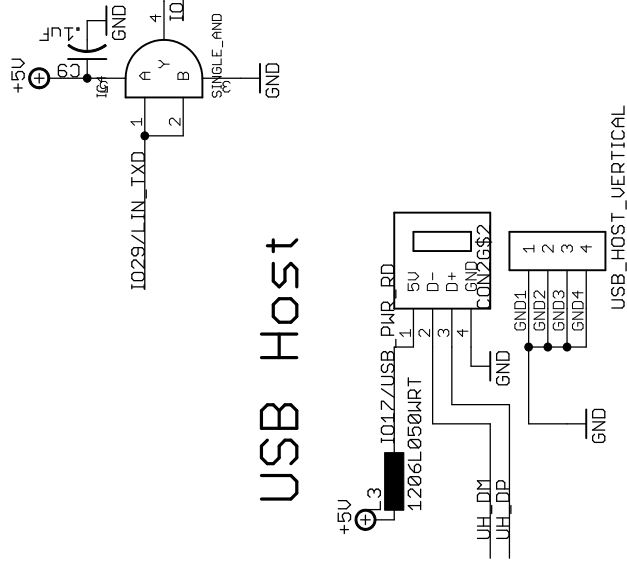
(UART1, COM2)



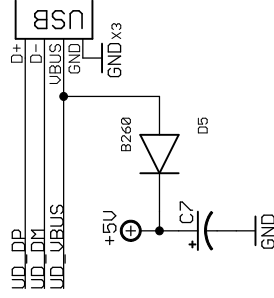
Ethernet



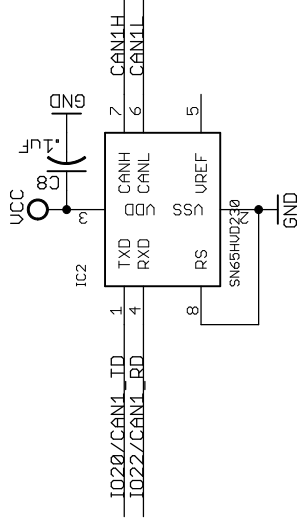
USB Host



USB Device

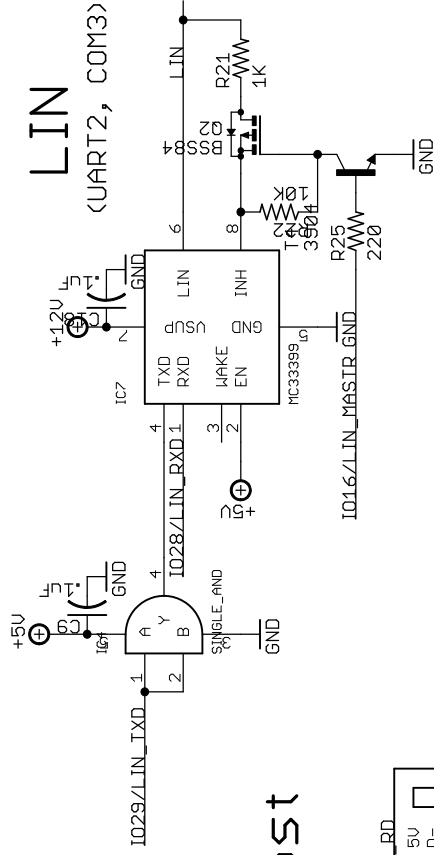


HS CAN 1



LIN

(UART2, COM3)



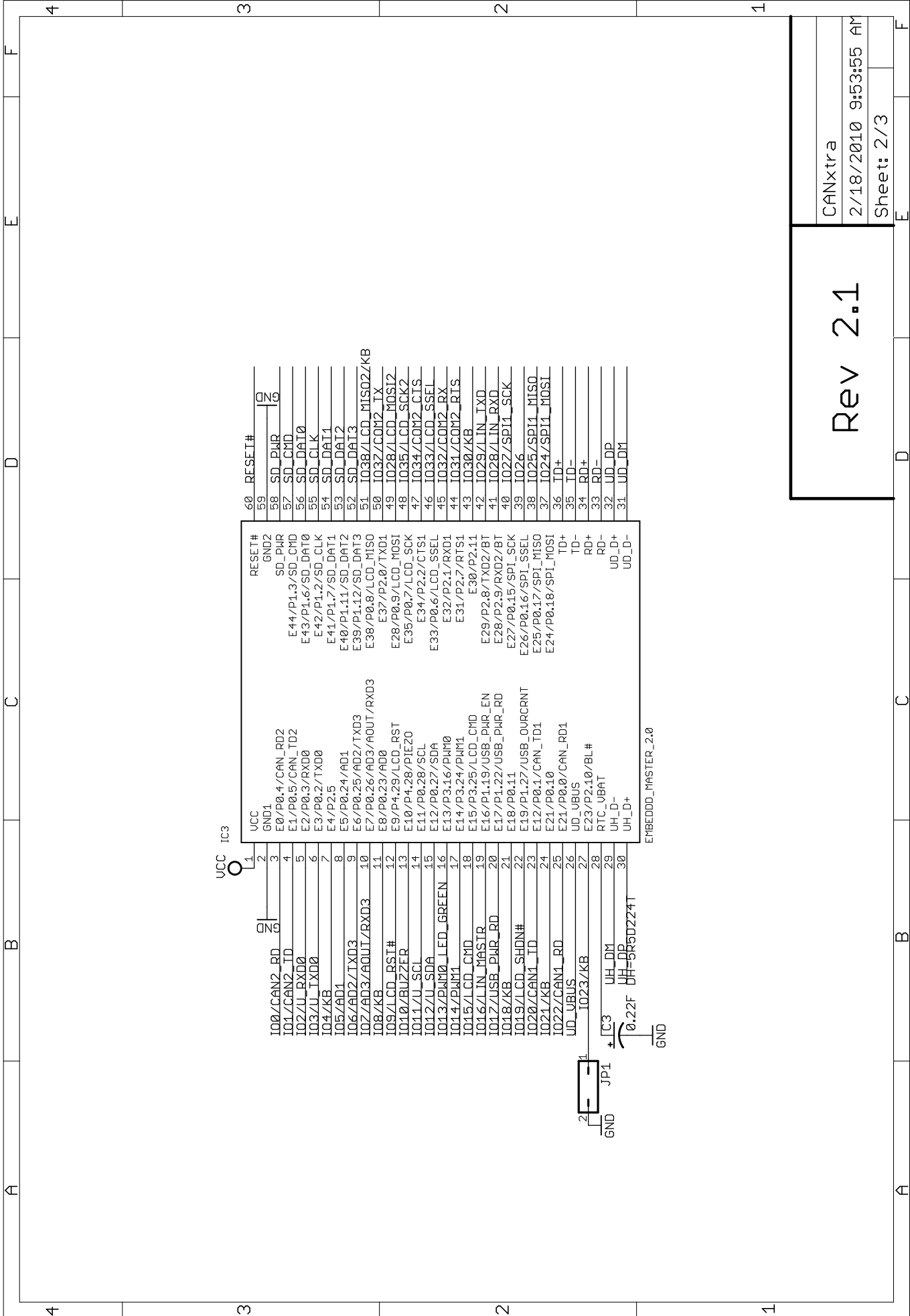
GHI Electronics, LLC

Rev 2.1

CANxtra

2/18/2010 9:53:55 AM

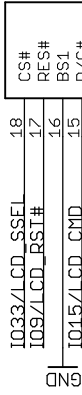
Sheet: 1/3



Rev 2.1

OLED

LCD1

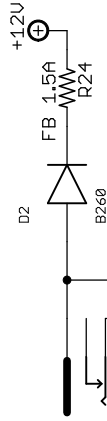


UCC

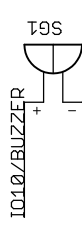
LCD_POWER

GND

OS086064PK12M-REV

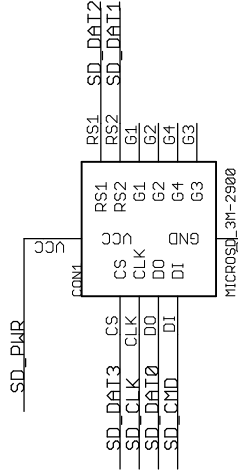


Buzzer



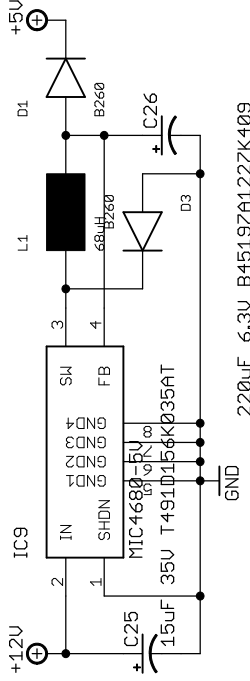
PKM13EPYH4000-A0

USD



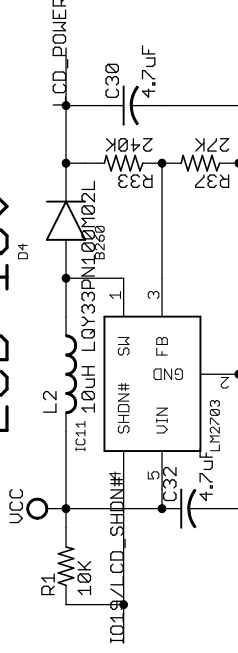
MICROSJ_3M-2900

5V REG

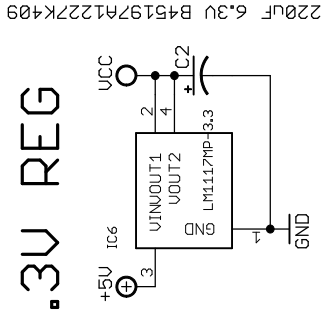


220uF 6.3V B45197A1227K409

LCD 10V

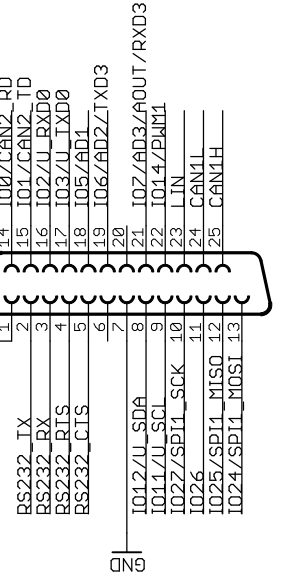
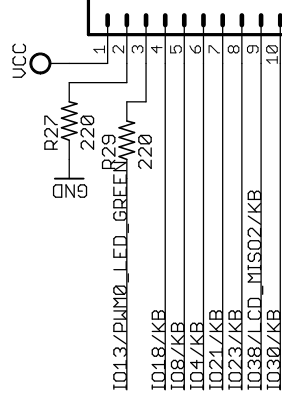


3.3V REG



220uF 6.3V B45197A1227K409

Buttons



Pins 8 and 22 shouldn't be in the cable to the PC

Rev 2.1

CANxtra

2/18/2010 9:53:55 AM

Sheet: 3/3